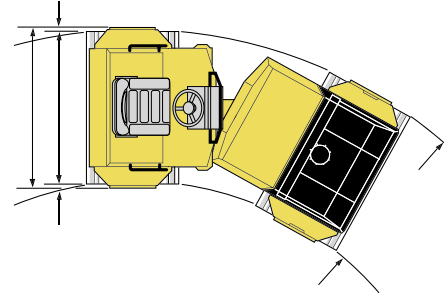
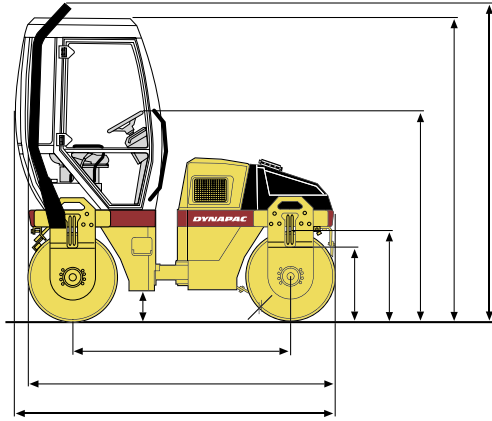


DYNAPAC COMPACTION EQUIPMENT

CC 132/142 - Vibratory Tandem Rollers



DYNAPAC



Technical data CC 132/142

Masses (kg)	CC 132	CC 142
Max. operating mass	3 770	4 400
Operating mass (incl. ROPS)	3 300	3 900
Drum module mass, front/rear	1 620/1 680	1 900/2 000
Traction	CC 132	CC 142
Speed range (km/h)	0 - 10	0 - 10
Vertical oscillation (°)	±10	±10
Steering angle (°)	±30	±30
Theor. gradeability (%)	41	41
Compaction	CC 132	CC 142
Static linear load, front/rear (kg/cm)	13,5/14	14,5/15,4
Nominal amplitude, high/low (mm)	0,5	0,5
Vibration frequency, at high/low amplitude (Hz)	52	52
Centrifugal force per drum, at high/low amplitude (kN)	33	33
Water tank (l)	200	200
Engine	CC 132	CC 132/142
Model (Diesel)	Deutz F2L 2011	Deutz F3L 2011
Type	Air cooled	Air cooled
Rated power, SAE J1995, at 2600 rpm, kW (hp)	22 (29)	34 (45)
Fuel tank capacity (l)	50	50

Hydraulic system		
Driving	Axial piston pump with variable displacement and servo.	
	Radial piston motors (2) with constant displacement.	
Vibration	Gear pump/motors with constant displacement.	
Steering	Gear pump with constant displacement.	
Service brake	Hydrostatic in forward and reverse levers.	
Parking/		
Emergency brake	Failsafe multidisc on both drums.	
Dimensions (mm)	CC 132	CC 142
A	1 925	1 925
B (w./w.o. ROPS)	1 350/1 300	1 450/1 400
D	802	802
H1	2 750	2 750
H2	2 690	2 690
H3	1 855	1 855
K1	600	600
K2	260	260
L1	2 850	2 850
L2	2 725	2 725
O	50	50
R1	4 200	4 240
R2	3 000	2 940
S: Nominal	16	16
W	1 200	1 300



Metso Dynapac AB, Box 504, SE-371 23 Karlskrona, Sweden, Phone: +46 455 30 60 00, Fax: +46 455 30 60 30

We reserve the right to change specifications without notice. Photos and illustrations do not always show standard versions of machines. The above information is a general description only, is not guaranteed and contains no warranties of any kind.

www.dynapac.com
www.metsominerals.com